

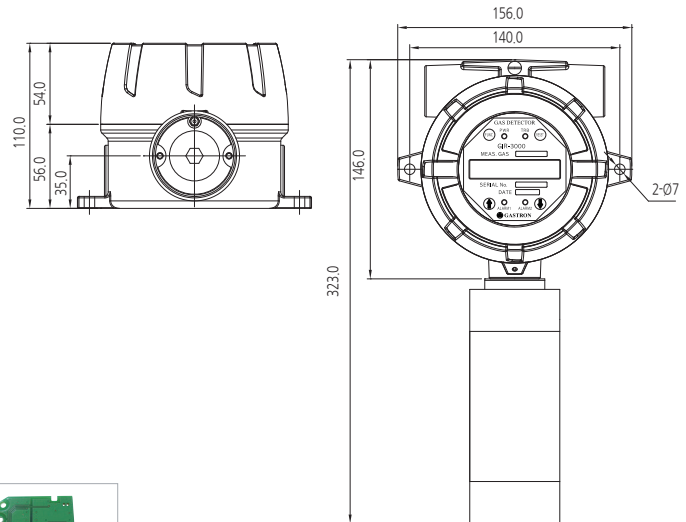
GIR-3000 Explosion Proof Type Diffusion Infrared Gas Detector

| Continuous detection of flammable, CO₂, CO and N₂O gases in explosion hazardous area with flame proof structure | State-of-the art infrared detection principle | Long service life time(more than 5 years) | Operation in non oxygen environment | Self diagnosis function with built-in Microprocessor | Fast response time(<5 sec) | Built-in back light LCD or OLED display | Auto calibration and program setting with a magnet bar | 2-stage alarm, 1-trouble display and relay contact output | 4-20mA (Current source or Sink) output signal | Easy configuration of monitoring system by RS-485 Modbus or HART communication | With the alarm unit, GTL-100 - Normal : Green LED - Alarm : Red LED, Buzzer(95dB) - Trouble : Yellow LED | Calibration and maintenance by one-man |

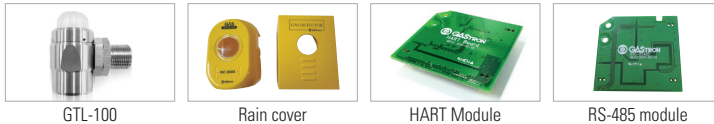
IMAGE



DIMENSION (Unit : mm)



ACCESSORIES



GTL-100

Rain cover

HART Module

RS-485 module

SPECIFICATION

※ Specifications are subject to be changed without prior notice.

SMART & LOCAL DISPLAY TYPE INFRARED GAS DETECTOR						
Model	GIR-3000					
Measuring gas	Hydrocarbon gases (LNG, LPG, Methane, Buthane & etc)			CO ₂	CO	N ₂ O
Measuring type	Diffusion type					
Measuring method	Infrared type					
Measruing range	0-100% LEL	0-9999ppm	0-100% Vol	0 - 5.0% Vol	0 - 2.0% Vol	0-4000ppm
Sensor life time	Over 5 years					
Response time	<6sec / 90% scale, <3sec / 50% scale					
Accuracy	±3% / Full scale					
Parameter control	Non intrusive control with a Magnet bar (calibration, maintenance, alarm setting)					
Operation mode display	4-LED (Power, 2-stage alarm, 1-trouble)					
Measuring value display	LCD display (Built-in back light 2-Line, 16 characters) / OLED Type (Option)					
Alarm signal output	2A@30VDC, 0.5A@125VAC (resistive load) / 3-SPST relay contact(2stage alarm, 1 trouble)					
Output signal	Analog : Measuring signal : 4-20mA DC Calibration signal : 3mA DC Fault signal : 0mA DC Digital : RS-485 Modbus (Option) 2mA (HART 7, HART Device Description Language available, Option)					
Material	Housing : ALDC, SUS316(Optional) / Sensor : SUS316					
Conduit connection	Standard : PF 3/4" Option : NPT 1/2", NPT3/4", M20 x 1.5P, M25 x 1.5P					
Mounting type	2" Pole mount, Wall mount, Duct mount					
Operating temperature	-40°C ~ +80°C					
Operating humidity	5 ~ 99% RH (non-condensing)					
Dimensions	156(W) x 323(H) x 110(D)mm					
Weight	3kg					
CERTIFICATION						
KCs	Ex d IIC T6, T4		ATEX / IECEx		Ex db IIC Gb T6, T4	
NEPSI	Ex d IIC T6 Gb		UL		Class I, Division 1, Groups A.B.C.D	
KR / MED / ABS / DNV / KC / KFI / CE / HART / SIL2 / PESO / TRCU ex / IEC 60079-29-1:2008 / CPA					Refer to website	